

LUSTER Medallion | Installation Instructions

DO NOT CONNECT DRIVERS TO THE FIXTURES WHILE THE POWER IS ON. POWER TO THE DRIVERS MUST BE OFF WHEN CONNECTION TO THE FIXTURES IS MADE. PERMANENT DAMAGE MAY OCCUR IF CONNECTED WITH POWER ON.

DO NOT CONNECT FIXTURES DIRECTLY TO LINE VOLTAGE***

CAREFULLY UNPACK THE CONTENTS OF THE CRATE AND PLACE FIXTURES ON NON-SCRATCHING SURFACE. THE FIXTURES CAN REMAIN WRAPPED UNTIL THEY ARE HUNG AND THE INSTALLATION IS COMPLETE.

1. Locate the wall cleat which is packaged separately. Shown in grey below. Take a measurement from the bottom edge of the top flat bar to determine where to position the wall cleat. The back of the wall cleat and (face that meets the wall) should be flush with the back of the flat bar piece when installed.

- Refer to diagram below.
- Use metal washers provided between wall surface and the cleat. (x8)

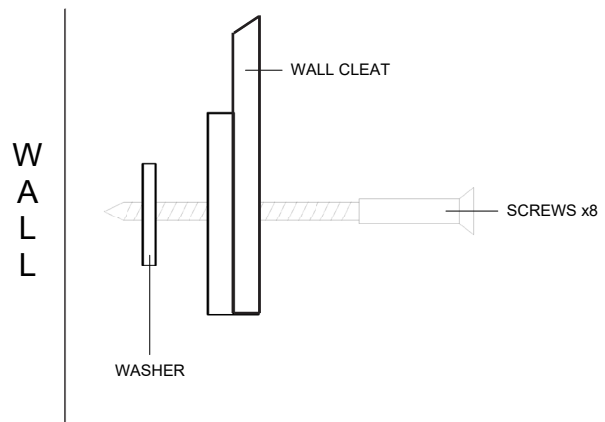
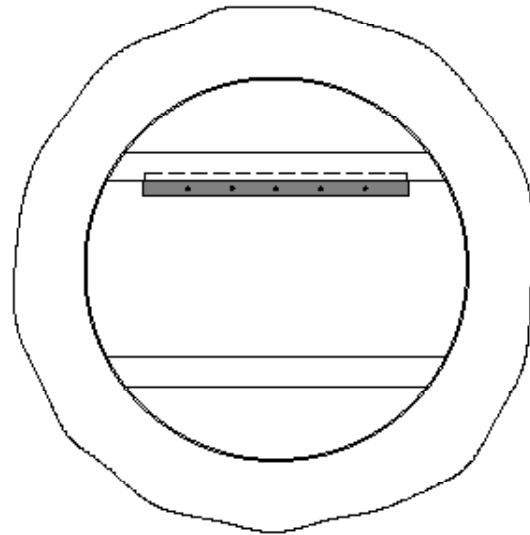
2. For LED Back-lit version - make connection from driver to junction box power feeds. Skip step 2 for unlit version.

Connect LED driver to line voltage power feed.

Black > Black
White > White
Green > Green
(test electrical connection)

3. Once the wall bracket is mounted to the wall and power connection is made (for back-lit option), the Luster Medallion will sit on top of the wall cleat to hold it in place.

Installation is complete.



NOTE:

The installation of this fixture depends on the materials into which the bracket will be anchored to and are not supplied by Ridgely Studio Works. The testing of the substrate strength is the responsibility of the installer. The substrate should be able to hold the entire weight of the fixture or more for added strength/safety. Carefully evaluate the substrate and fixture weight prior to mounting in order to make sure the substrate is not overloaded. The fixture must be installed into a solid structure (ie. cross members, beams, joists. etc) in the ceiling. These instructions do not claim to cover all details or variations in the equipment, procedure, or process described, nor to provide directions for meeting every possible contingency during installation, operation or maintenance. RSW does not take any responsibilities in installation of product in this manual. Person in charge of installation MUST have a proper certification and is fully responsible.